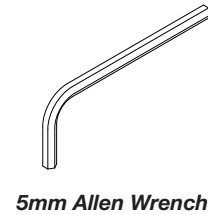
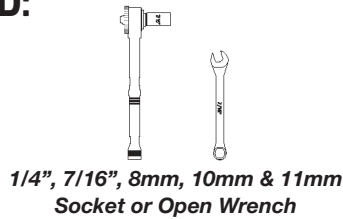


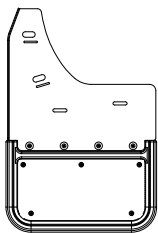
IMPORTANT:

Manufacturer is not responsible for negligent use of vehicle with mudflaps installed, including over-tightening of screws and bolts causing damage to vehicle or mudflaps.

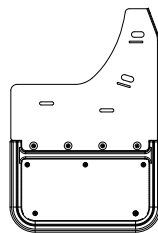
TOOLS REQUIRED:



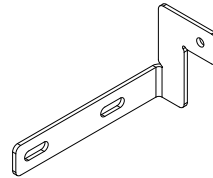
FLAPS:



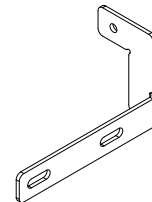
(1) Flap Assembly,
Front, DS



(1) Flap Assembly,
Front, PS



(1) Bracket, DS
Part#771408

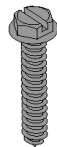


(1) Bracket, PS
Part#771409

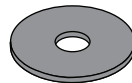
PARTS BAG #771414:



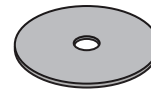
a) (6) Cap Screw
1/4-20 x 3/4", SS, Blk Ox.
Part #014070



b) (2) Sheet Metal Screw
#8-18 x 1", SS, Blk Ox.
Part #016055



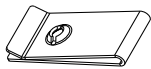
c) (6) Washer, Flat, SS,
Blk Ox.
0.281" x 1",
Part #018069



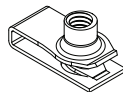
d) (2) Washer, Flat, SS,
Blk Ox.
0.203" x 1",
Part #018070



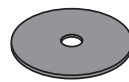
e) (4) Serrated Flange Nut
1/4"-20, SS
Part #025034



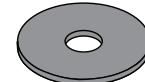
f) (2) Spring Nut
#8, 9/16" Reach
Part #028004



g) (2) Spring Nut
1/4"-20, 0.54" Reach
Part #028010



h) (2) Nylon Washer,
7/16"x1"x1/4"
Part #054080



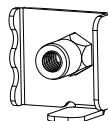
i) (2) Nylon Washer,
0.0281"x 0.885"
Part #054089



j) (4) Spacer Washer,
7/16"x1"x1/4"
Part #054091



k) (2) Mount Clip
Driver Side
Part #769308



l) (2) Mount Clip
Passenger Side
Part #769309

INSTALLATION INSTRUCTIONS (For ease of installation it is suggested that the wheel be removed)

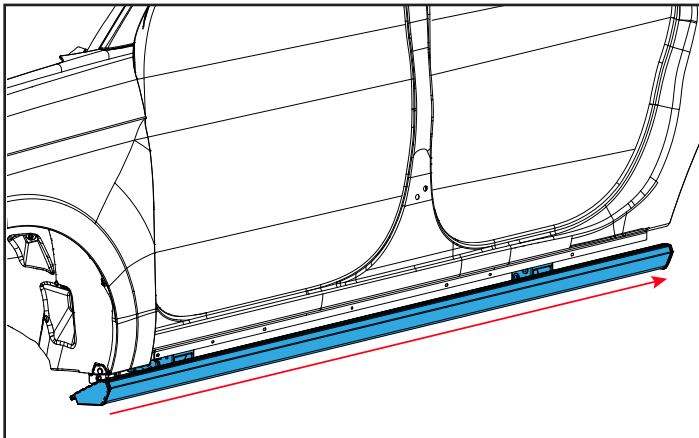
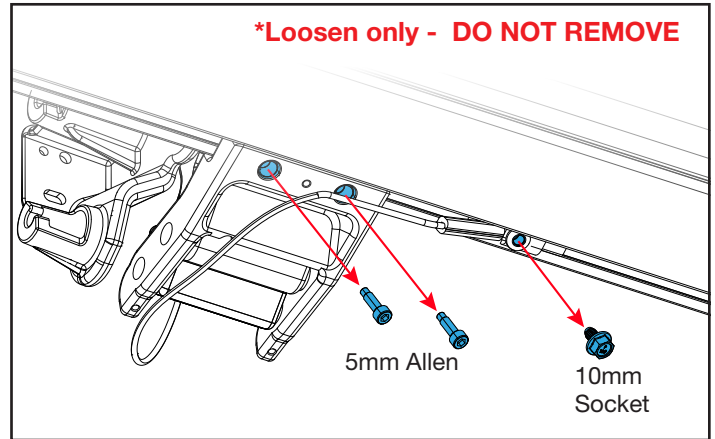
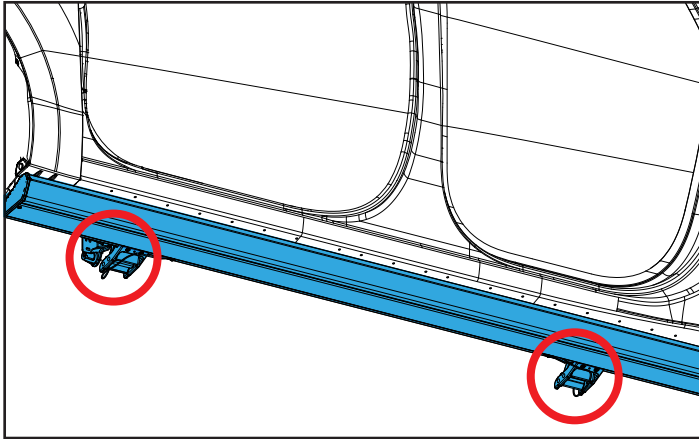
1. Before you install your mudflap set, see the diagram & parts list for all necessary parts. Start on the driver's side.

***Please note:** the 2025 Expedition has 3 different step options. These mudflaps will fit the power running board with some modification, and the Tremor board, with no modification, but **will not fit on models with the fixed platform running boards found on the Active model.**

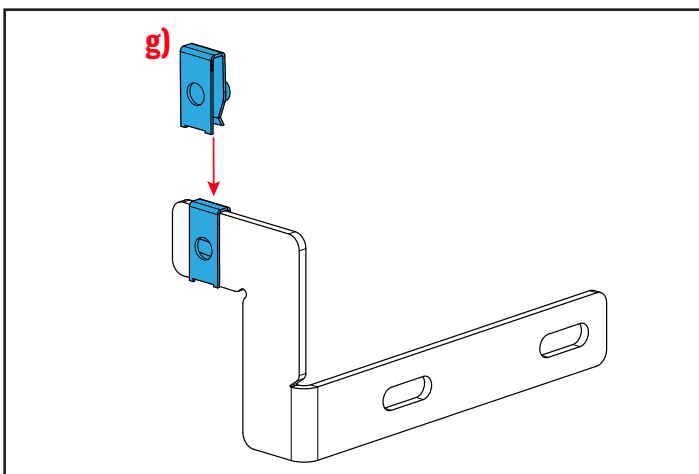
2. If you have power running boards, you may find that the board sits slightly into the front wheel well which puts pressure the mudflap. On the front and rear bracket of the running board, **loosen** the bolts shown using a 5mm Allen Wrench and a 10mm Socket Wrench.

This will allow you to slightly push the running board back just enough so that the mudflap will sit flush against the inner wheel well. Once the running board is in position, retighten the bolts on the bracketing.

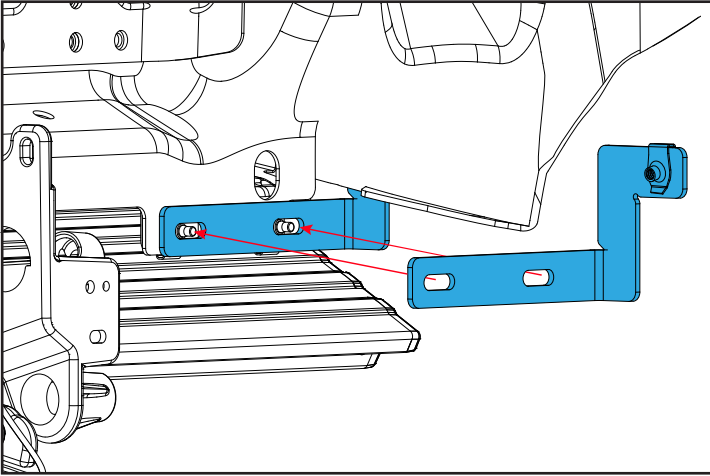
If you have power running boards:



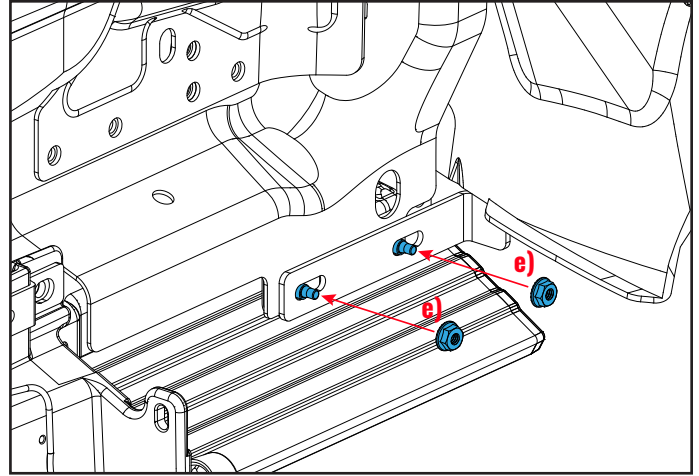
3. Install spring nut (g) on bracket.



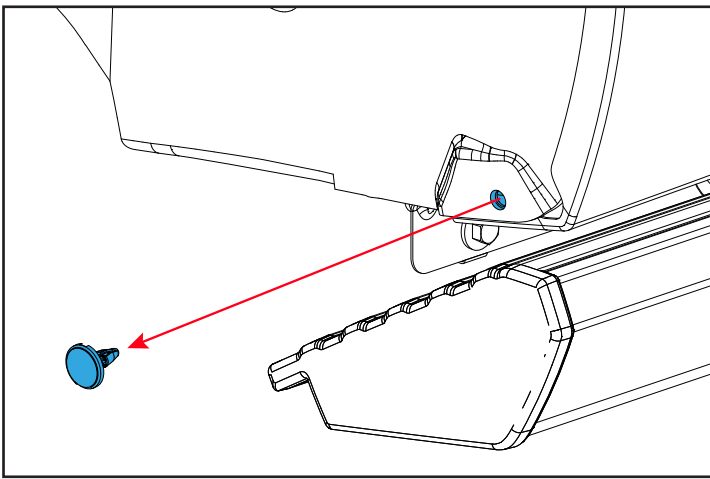
3.1 Install the bracket on factory bolts.



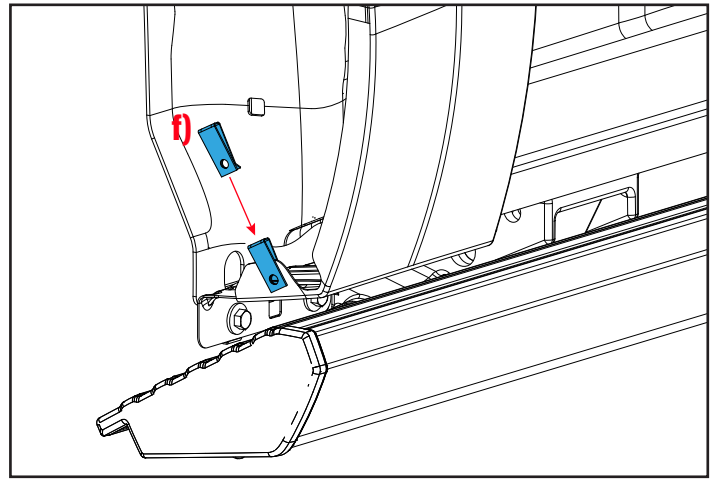
3.2 Secure bolts using serrated flange nuts (e).



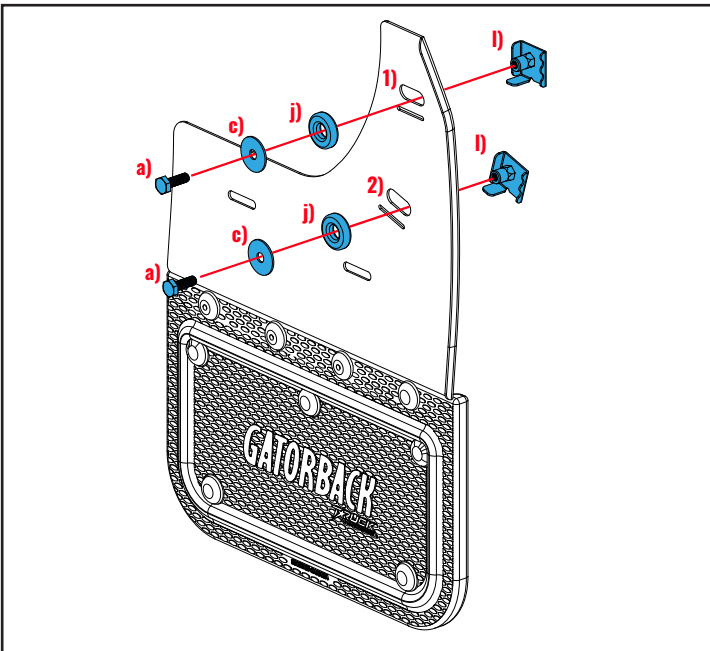
4. Remove factory push pin on factory hole.



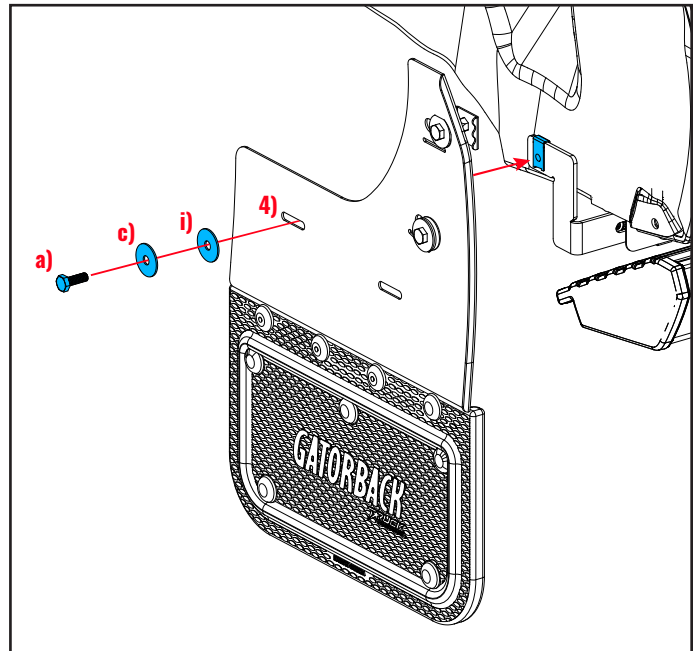
5. Pull back liner & install spring nut (f) over factory hole.



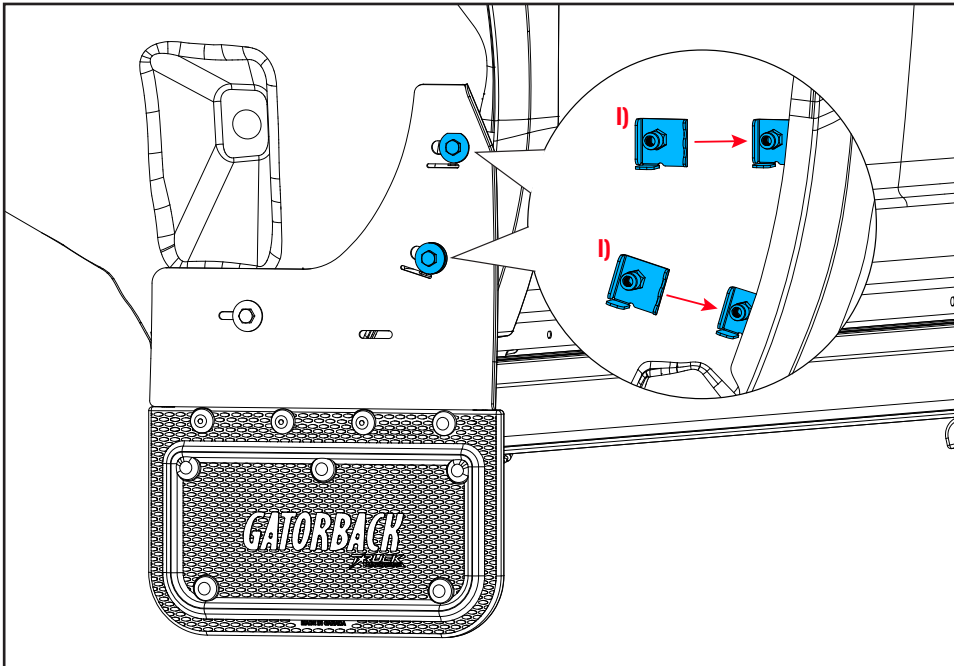
6. Loosely install mount clips (l) on mudflap holes #1 & #2 using a capscrew (a), flat washer (c) & spacer washer (j).



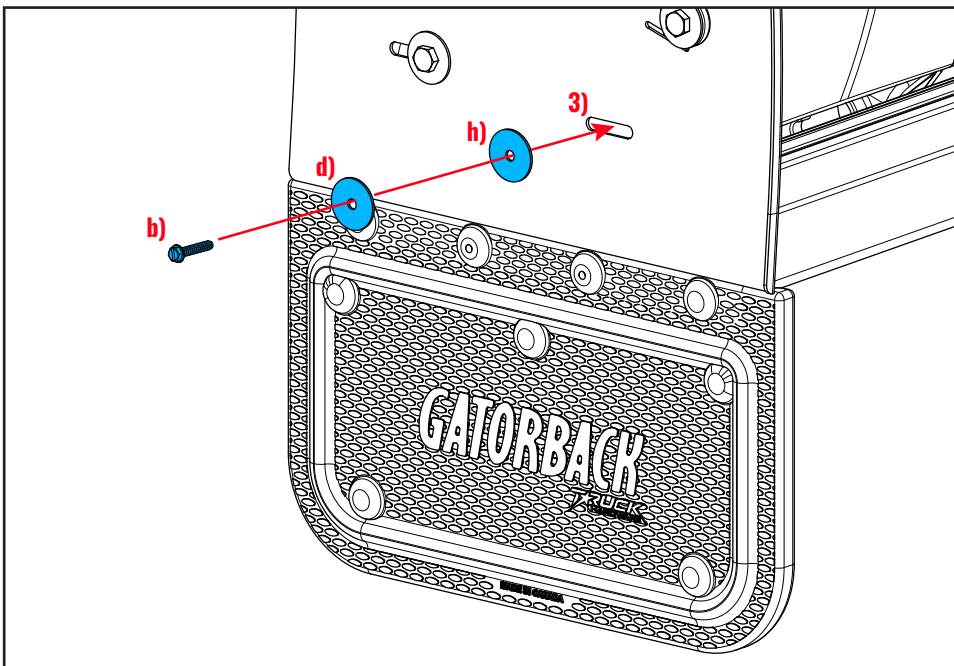
7. Loosely install mudflap hole #4 to spring nut on bracket using a capscrew (a), flat washer (c) & nylon washer (i).



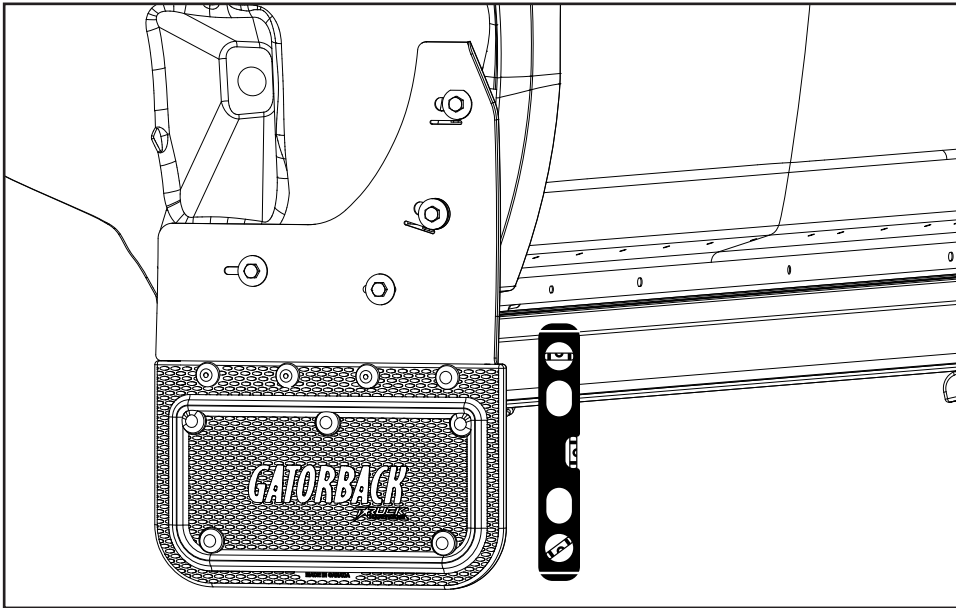
8. Slide mount clips behind fender lip & loosely secure.



9. Loosely install mudflap hole #3 to the spring nut (f) on factory hole using a sheet metal screw (b), flat washer (d) & nylon washer (h).



10. Using a bubble level or square, ensure that the mudflap is level. Viewing the truck from the back, the outer edge of the mudflap should appear parallel to the tires.



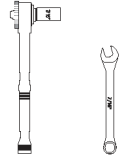
11. Carefully tighten all screws. Double check that the mudflap is still level.

12. Slide the board forward if necessary & tighten the fasteners on both mounting points.

IMPORTANT:

Manufacturer is not responsible for negligent use of vehicle with mudflaps installed, including over-tightening of screws and bolts causing damage to vehicle or mudflaps.

TOOLS REQUIRED:

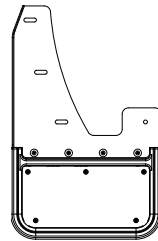


1/4", 7/16", 5/16" and 3/8"
Socket or Open Wrench

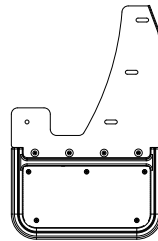


Push Pin
Removal Tool

FLAPS:

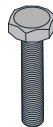


(1) Flap Assembly,
Rear, DS

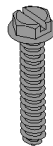


(1) Flap Assembly,
Rear, PS

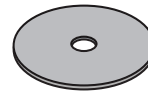
PARTS BAG #771415:



a) (2) Machine Screw
10-24 x 1" SS, Blk Ox.
Part #012050



b) (6) Sheet Metal Screw
#8-18 x 1", SS, Blk Ox.
Part #016055



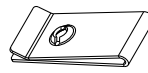
c) (10) Washer, Flat, SS, Blk Ox.
0.203" x 1"
Part #018070



d) (2) Lock Washer
18-8, 10, SS
Part #024001



e) (2) Hex Nut
10-24, SS
Part #025003



f) (6) Spring Nut
#8, 9/16" Reach
Part #028004

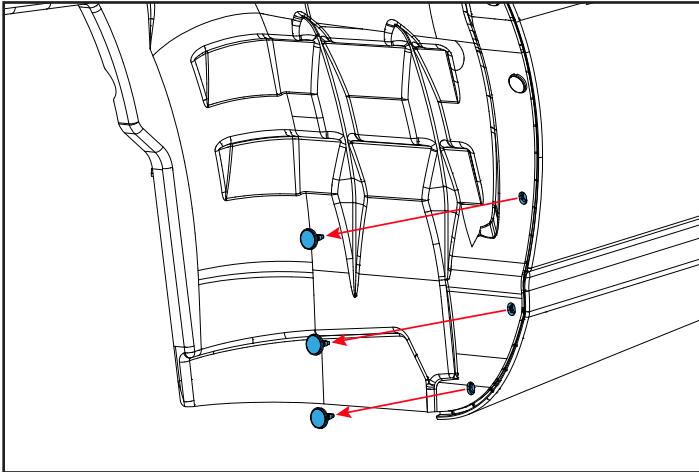


g) (8) Nylon Washer
0.203" x 0.885"
Part #054080

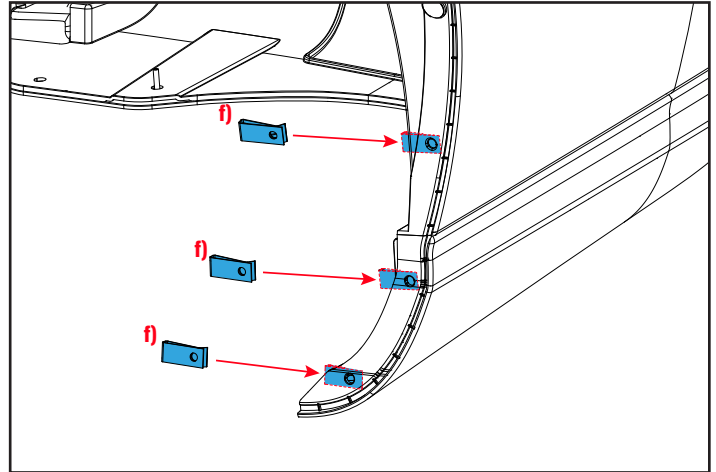
INSTALLATION INSTRUCTIONS (For ease of installation it is suggested that the wheel be removed)

1. Before you install your mudflap set, see the diagram & parts list for all necessary parts. Start on the driver side.

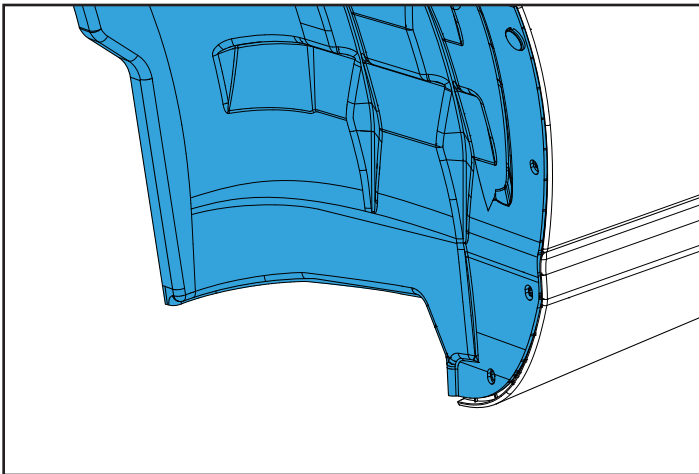
2. Remove the 3 factory push pins from the fender.



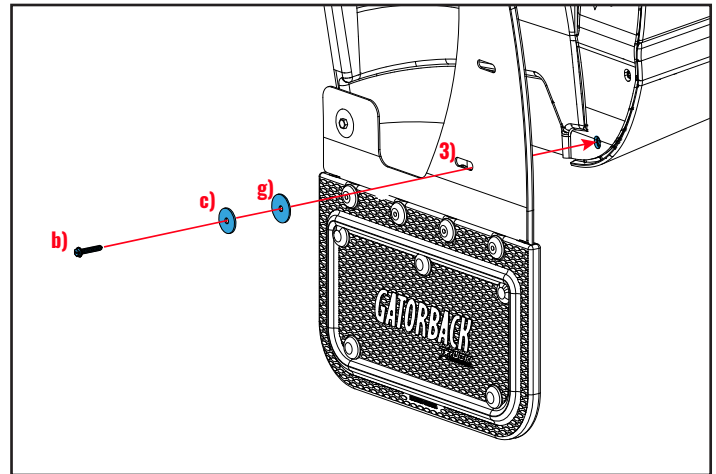
3. Pull back the liner & install spring nuts (f) on 3 factory holes as shown in diagram.



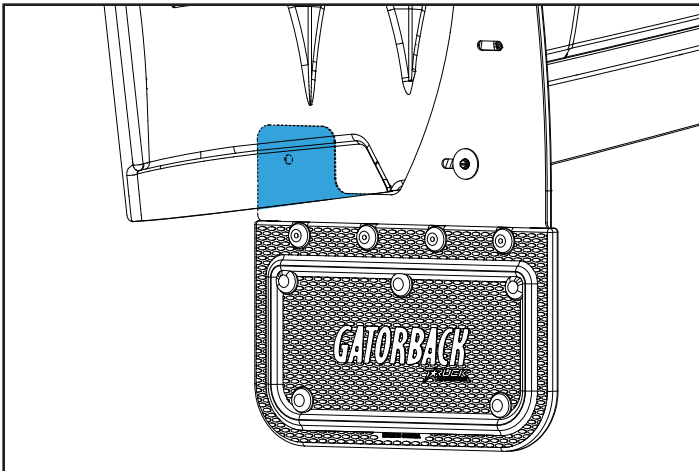
4. Put the liner back in place, then grab your mudflap.



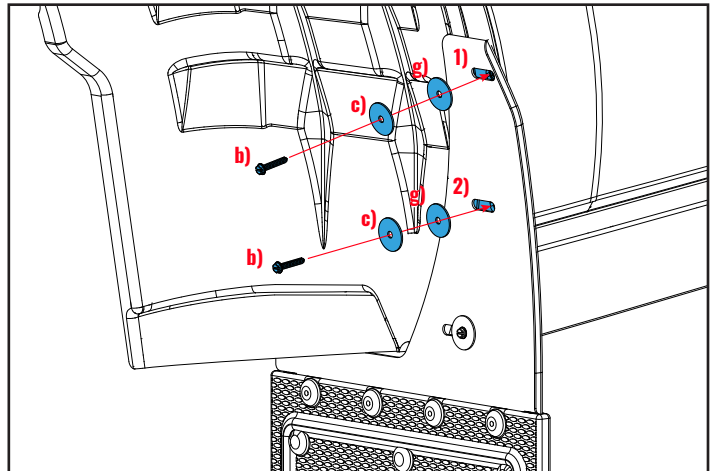
Loosely install mudflap hole #3 to spring nut (f) using a sheet metal screw (b), flat washer (c) & nylon washer (g).



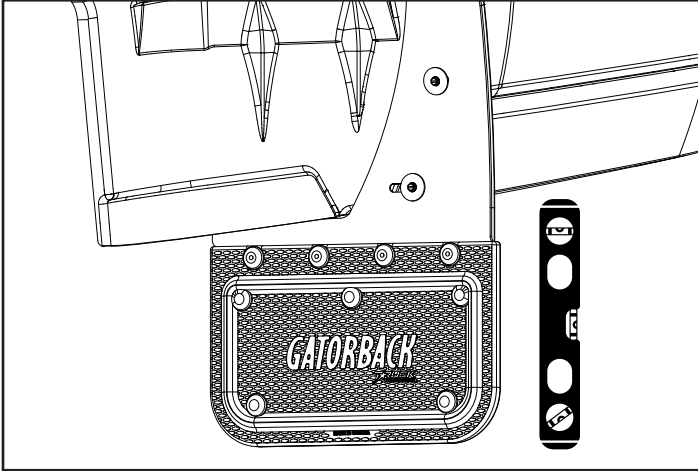
5. Slide mudflap ear behind the liner.



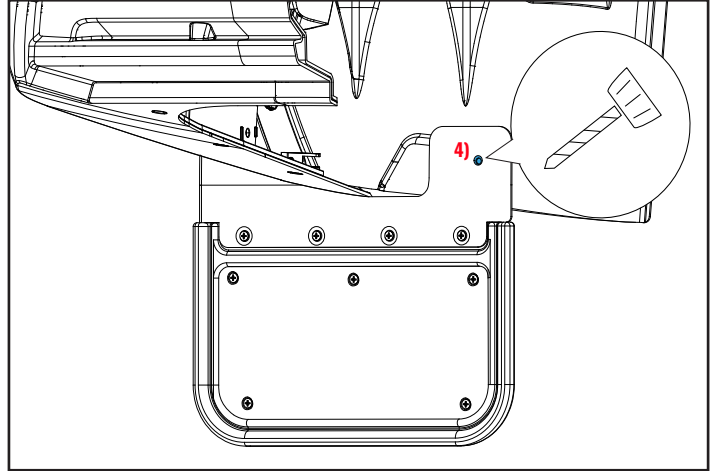
6. Loosely install mudflap holes #1 & #2 to spring nuts (f) using a sheet metal screw (b), flat washer (c) & nylon washer (g).



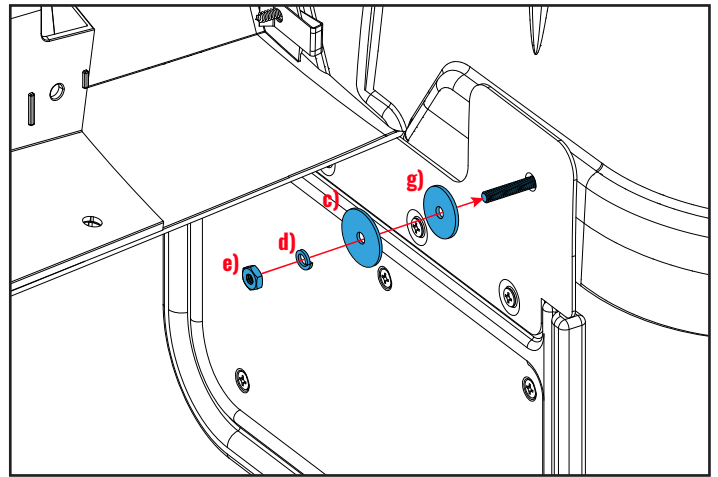
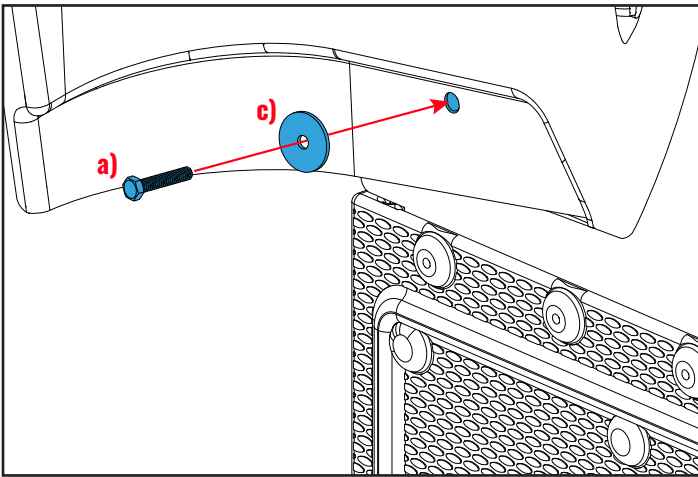
7. Using a bubble level or square, ensure that the mudflap is level. Viewing the truck from the back, the outer edge of the mudflap should appear parallel to the tires.



8. Using a 1/4" drill bit, drill through the liner using hole #4 as a guide.



9. Secure mudflap hole #4 to the newly drilled hole using a machine screw (a) & flat washer (c). Secure from behind using a nylon washer (g), flat washer (c), lock washer (d) & hex nut (e).



10. Repeat procedure on passenger side.